

E-Dimming LED Driver

Design and Quality EASEIC of USA

LED112A

E-DIMMING DALI DRIVER

SPEC SHEET



150W 12V 0-12.5A DALI Dim
LED112A
69315001



RoHS

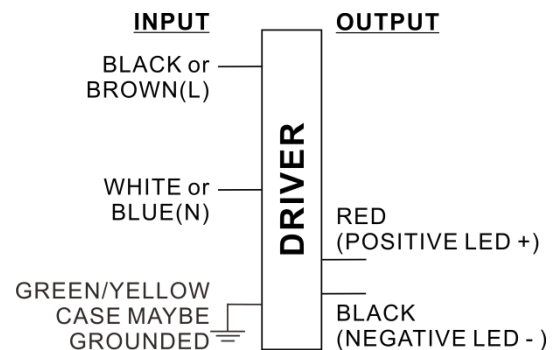
Features

- -Output constant voltage
- -Range 100-265VAC
- -Built-in active PFC function
- -Efficiency 90%
- -Protections:short circuit/over load/ over current/over temperature
- -Cooling by free air convection
- -IP66 design for indoor or outdoor installation .
- -Dimming function:Built in DALI interface dimming function
- conform to DALI Protocol IEC62386
- -Dimming range from 0.1% to 100%
- -Suitable for intelligent LED lighting
- -Compliance to worldwide safety regulations for lighting
- -Suitable for dry/damp/wet locations

Benefits

- Enables design of low profile and compact fixtures
- Helps to maximize energy savings and allows application specific light levels

Wire Diagram



Note:

Install in accordance with National and Local Electrical Codes.

Please pay special attention to wiring installation guidelines, Wrong wiring will cause damage to the LED driver.

Before connection the power, make sure you have access to the LED load.

LED112A

E-DIMMING DALI DRIVER SPEC SHEET

Electrical Specifications

Ordering Information			
Type	LED112A		
Order Code	69315001		
Full product name	E-Dimming 150W 12V 0-12.5A DALI Dim		
Input Information			
Line Voltage	100-264Vac_rms		
Full load Efficiency(Typ)	87%	89%	90%
Line Current	0.79A@220VAC	0.84A@230VAC	0.80A@240VAC
Line Frequency	47/63Hz		
Min, Mains Voltage operational	90[min]		
Max, Mains Voltage operational	277[max]		
THD(total)	<20%		
Power Factor(PF)	>0.99/220V		
Leakage Current(Typ.)	<0.7mA/230VAC		
Output Information			
Output Constant Voltage	12V		
Output Current	0-12.5A		
Protections	Over Current, Over Voltage, Short Circuit and Open Circuit Protection for LED+ and LED-		
Ambient Temp Range	-20°C to +60°C, 20-95% RH non-condensing		
Max Case Temperature(Tc)	75°C for Life & 85°C for TUV Safety		
Features			
Dimming Interface	DALI(IEC62386) Sink Current<2mA		
Dimming range	0.1-100%		
Environment & Approbation			
Environmental Protection Rating	TUV damp and dry		
Agency Approbations	ENEC EN61347-1,EN61347-2-13 independent, EN62384, TUV EN60950-1		
Electromagnetic Compliance	Compliance to EN55015,EN61000-3-2 Class C(@ 100% Load);EN6100-3-3 Compliance to EN61000-4-2,3,4,5,6,8,11;EN61547,EN55024, light industry level(surge 2KV), criteria A		
Other Information			
Dimension	256x80x53mm		
Weight	1.8KG		
Packing	440*295*145mm/8pcs/CTN 265*98*55 mm for inner box		

All the specifications are typical and at 25 °C Tcase unless specified otherwi

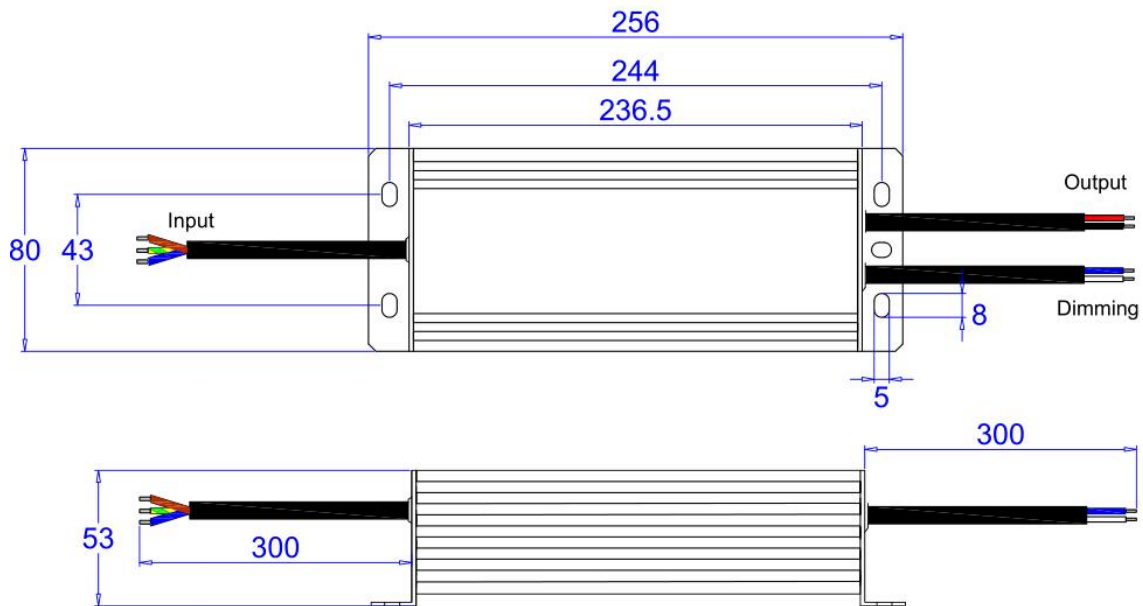
LED112A

E-DIMMING DALI DRIVER

SPEC SHEET

Mechanical Specifications

Mechanical Drawing:



EASEIC

© Copyright 2013 EASEIC INC.
All rights reserved. Rev A1.0
Data is subject to change without notice.
www.easeic.com

Easeic Inc.

27 Hall Street, Brooklyn, NY 11205
Tel.: 1-718-243-9388
Fax: 1-718-243-9403
Customer Support
Customer Care: 1-646-4029788
E-Mail: ny@easeic.com

Easeic Asia Limited.

Rm. 19C, Lockhart Ctr., 301- 307
Lockhart Rd., Wan Chai, Hong
Kong
Tel.: 852-6955-8075
Fax: 852-6915-3639
E-Mail: info@easeic.com

Easeic Sci-tech Co., Ltd.

No. 37 Huancun Xi Rd.,
Liangtian Industrial Area,
Baiyuan District, Guangzhou,
China
Tel.: 86-20-8230-9676
Fax: 86-20-8230-9677
E-Mail: sales@easeic.com