

# E-Dimming LED Driver

Design and Quality EASEIC of USA

# LNT118E

## E-DIMMING TRIAC DRIVER

SPEC SHEET



18W 12V 1.40A TRIAC Dim  
LNT118E  
65401615



**SELV RoHS**

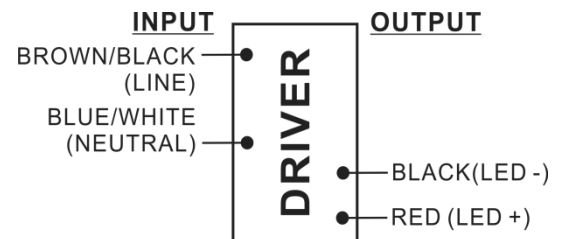
### Features

- Compatible with industry standard TRIAC(forward-phase or Leading-edge) and ELV(Reverse-phase or Trailing-edge) phase-cut dimmers
- Designed for LED lighting applications
- Compact form factor, Fully isolated plastic case
- Class 2 power unit
- Cooling by free air convection
- high reliability, low cost
- Suitable for dry, damp, and wet location
- 5 year warranty

### Benefits

- Enables design of low profile and compact fixtures
- Helps to maximize energy savings and allows application specific light levels

### Wire Diagram



#### Note:

Install in accordance with National and Local Electrical Codes.

Use 18 AWG solid copper wire rated  $\geq 300V/85\text{ C}$ .

Strip wire 3/8".

Please pay special attention to wiring installation guidelines,

Wrong wiring will cause damage to the LED driver.

Before connection the power, make sure you have access to the LED load.

### Product Data

Input Voltage (Vac)	Output Power (W)	Output Voltage (V)	Output Current (A)	Efficiency @Max Load and 70°C case	Max Case Temp. (°C)	Input Current (Arms)	Max Input Power (W)	THD @Max Load (%)	Power Factor @Max Load	Weight (Lbs/kgs)	Envir. Protection Rating
220	18	8-12	1.40	81.0	Life-75°C TUV-85°C	0.11	24.2	<20%	>0.92	0.26/0.12	damp and dry
230				81.0		0.10		<20%			
240				81.0		0.10		<20%			

# LNT118E

## E-DIMMING TRIAC DRIVER

### SPEC SHEET

#### Electrical Specifications

<b>Ordering Information</b>			
Type	LNT118E		
Order Code	65401615		
Full product name	E-Dimming 18W 12V 1.40A TRIAC Dim		
<b>Input Information</b>			
Line Voltage	220-240Vac_rms		
Line Current	0.11A@220VAC	0.10A@230VAC	0.10A@240VAC
Line Frequency	50/60Hz		
Min, Mains Voltage operational	198[ <i>min</i> ]		
Max, Mains Voltage operational	264[ <i>max</i> ]		
THD(total)	<20%		
Power Factor(PF)	>0.90		
Inrush Current(Typ.)	Cold Start 10A( <i>t</i> <sub>width</sub> =270us measured at 50% <i>I</i> <sub>peak</sub> ) at 230VAC		
Leakage Current(Typ.)	<0.5mA/230VAC		
<b>Output Information</b>			
Output voltage	8V to 12V		
Output Constant Current	1.40A		
Maximum open circuit voltage	<60V		
Output Current Ripple (ripple=peak to peak)	10% of nominal output voltage (whichever is greater),measured at 20Mhz bandwidth with 0.1uf ceramic capacitor in parallel with 10uf electrolytic capacitor connected at the end of the output connector.		
Protections	Over Current, Over Voltage, Short Circuit and Open Circuit Protection for LED+ and LED-		
Ambient Temp Range	-20°C to +60°C, 20-95% RH non-condensing		
Max Case Temperature(Tc)	75°C for Life & 85°C for TUV Safety		
<b>Features</b>			
Dimming Interface	TRIAC(forward-phase or Leading-edge) phase-cut dimming ELV(Reverse-phase or Trailing-edge) phase-cut dimming		
Approved Dimmer List(Manufacturer)	ABB,CLIPSAL,HAGER,BERKER,JUNG,PHILIPS DYNALITE, LEGRAND,EASEIC,LUTRON,LEVITON TRIAC(forward-phase or Leading-edge) and ELV(Reverse-phase or Trailing-edge) phase-cut dimmer		
Dimming range	5-100% or 0-100%		
<b>Environment &amp; Approbation</b>			
Environmental Protection Rating	TUV damp and dry		
Agency Approbations	UL8750,UL1310, CSA-C22.2 No.250.0-08,ENEC EN61347-1,EN61347-2-13 independent, EN62384, TUV EN60950-1		
Electromagnetic Compliance	FCC Title 47 Part 15 Class A Compliance to EN55015,EN61000-3-2 Class C(@100% Load);EN6100-3-3 Compliance to EN61000-4-2,3,4,5,6,8,11;EN61547,EN55024, light industry level(surge 2KV), criteria A		
Audible noise	<24dB Class A		

All the specifications are typical and at 25 °C Tcase unless specified otherwise

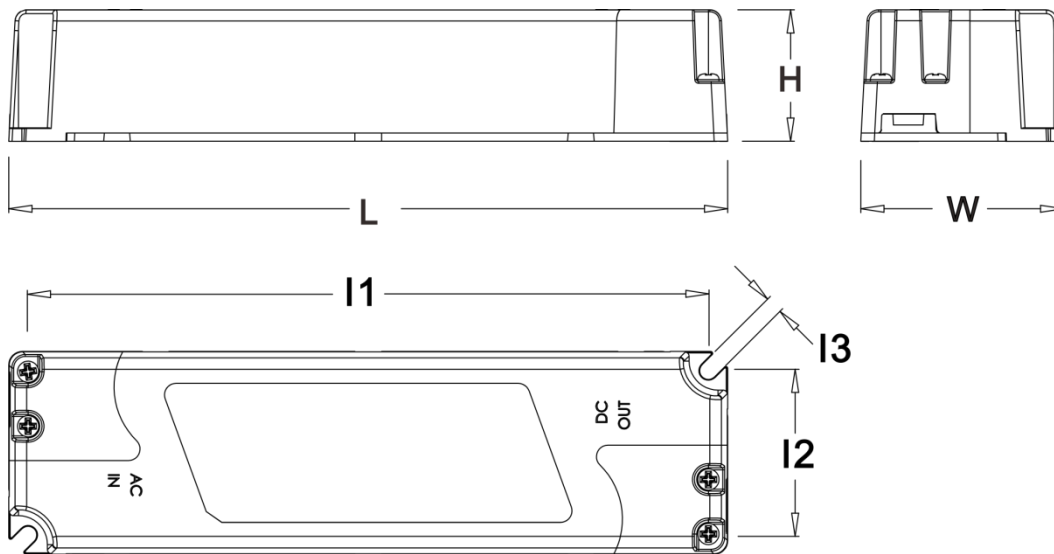
# LNT118E

## E-DIMMING TRIAC DRIVER

### SPEC SHEET

#### Mechanical Specifications

#### Mechanical Drawing:



#### Dimensions

	In.	mm
Case Length(L)	5.6	141
Case Width(W)	1.5	38
Case Height(H)	0.9	22
Mounting Holes(I1)	5.2	132
Mounting Holes(I2)	1.1	29
Mounting Holes(I3)	0.13	3.2
Overall Length	5.6	141

**EASEIC**

© Copyright 2013 EASEIC INC.  
All rights reserved. Rev A1.0  
Data is subject to change without notice.  
www.easeic.com

#### Easeic Inc.

27 Hall Street, Brooklyn, NY 11205  
Tel.: 1-718-243-9388  
Fax: 1-718-243-9403  
Customer Support  
Customer Care: 1-646-4029788  
E-Mail: ny@easeic.com

#### Easeic Asia Limited.

Rm. 19C, Lockhart Ctr., 301-307  
Lockhart Rd., Wan Chai, Hong Kong  
Tel.: 852-6955-8075  
Fax: 852-6915-3639  
E-Mail: info@easeic.com

#### Easeic Sci-tech Co., Ltd.

No. 37 Huancun Xi Rd., Liangtian  
Industrial Area,  
Baiyuan District, Guangzhou, China  
Tel.: 86-20-8230-9676  
Fax: 86-20-8230-9677  
E-Mail: sales@easeic.com