

# Smart LED Driver

Design and Quality EASEIC of USA

# LNA127

## Smart E-Dim 0/1-10V DRIVER

### SPEC SHEET



27W 3-62V 180-900mA 0/1-10V Dim  
LNA127  
612127



**SELV RoHS**

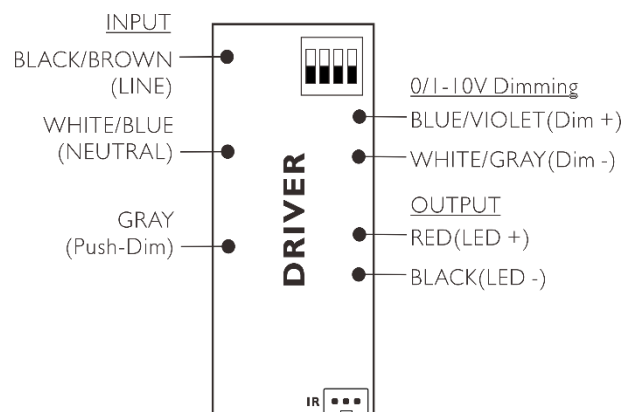
### Features

- Multilevel current output, Constant current output 180-900mA
- Multi-power driver supplied with dip-switch for the selection of the output current
- Built-in infrared remote control dimming control.
- Built-in 3 in 1 dimming function(0/1-10V,PWM or Resistance)
- Dimming range from 0 -100%.
- On/off Dim, PUSH-Dim, dimming and switching via push-button with memory function.
- Universal AC input (90~265Vac)
- Designed for LED lighting applications
- UL Class 2 output, Class 2 protection against electric shock for direct or indirect contact
- Supplied with terminal cover and cable retainer.
- Driver can be secured with slot for screws.
- Can be switched on and off on secondary circuit for power LED.
- Protections: Short circuit , Over voltage, Over Current
- 5 year warranty

### Benefits

- Enables design of low profile and compact fixtures
- Helps to maximize energy savings and allows application specific light levels
- Supports majority of available dimming solutions

### Wire Diagram



#### Note:

Install in accordance with National and Local Electrical Codes.

Use 16-24 AWG solid copper wire rated  $\geq 300V/85^{\circ}C$ .

Strip wire 3/8".

Please pay special attention to wiring installation guidelines, Wrong wiring will cause damage to the LED driver.

Before connection the power; make sure you have access to the LED load.

#### Electrical Specifications

<b>Ordering Information</b>			
Type	LNA127		
Order Code	612127		
Full product name	Smart 27W 3-62V 180-900mA 0/1-10V Dim		
<b>Input Information</b>			
Line Voltage	100-240Vac_rms		
Line Current	0.32A@100VAC	0.27A@120VAC	0.14A@230VAC
Line Frequency	50/60Hz		
Min, Mains Voltage operational	90[min]		
Max, Mains Voltage operational	265[max]		
THD(total)	<20%		
Power Factor(PF)	>0.95		
Input Power (Max.)	32.2W		
Efficiency @Max Load and 70°C case	87%@100VAC	87%@120VAC	87%@230VAC
Inrush Current(Typ.)	Cold Start 55A(twidth=270us measured at 50% Ipeak) at 230VAC		
Leakage Current(Typ.)	<0.5mA/230VAC		
<b>Output Information</b>			
Output Power	27W(See Output current settings table)		
Output voltage	3V to 62V		
Output Constant Current	180-900mA ±5%(See Output current settings table)		
Maximum open circuit voltage	<60V		
Output Current Ripple (ripple=peak to peak)	2% of nominal output voltage (whichever is greater), measured at 20Mhz bandwidth with 0.1uf ceramic capacitor in parallel with 10uf electrolytic capacitor connected at the end of the output connector.		
Protections	Over Current, Over Voltage, Short Circuit and Open Circuit Protection for LED+ and LED-		
Ambient Temp Range	-20°C to +50°C, 20-95% RH non-condensing		
Max Case Temperature(Tc)	75°C for Life & 85°C for UL Safety		
<b>Dimming Features</b>			
Dimming Interface	0/1-10V, Push-Dim, On/off Dim, 10K PWM, Resistance, IR		
0/1-10V Dimming Specifications	Sink Current <0.5mA		
Dimming range	0-100%		
<b>Environment &amp; Approbation</b>			
Environmental Protection Rating	UL damp and dry		
Agency Approbations	UL8750,UL1310, CSA-C22.2 No.250.0-08,ENEC EN61347-1,EN61347-2-13 independent, EN62384,TUV EN60950-1		
Electromagnetic Compliance	FCC Title 47 Part 15 Class A Compliance to EN55015,EN61000-3-2 Class C(@100% Load);en6100-3-3 Compliance to EN61000-4-2,3,4,5,6,8,11;EN61547,EN55024, light industry level(surge 2KV), criteria A		
Audible noise	<24dB Class A		
<b>Other information</b>			
Dimension	167x39x30mm (LxWxH)		
Packing	0.15Kg(0.37lbs); 42Pcs/7.1kg(15.2Lbs)		

All the specifications are typical and at 25 °C Tcase unless specified otherwise

### Output Current Settings

LNA127, Constant Current output 180-900mA.

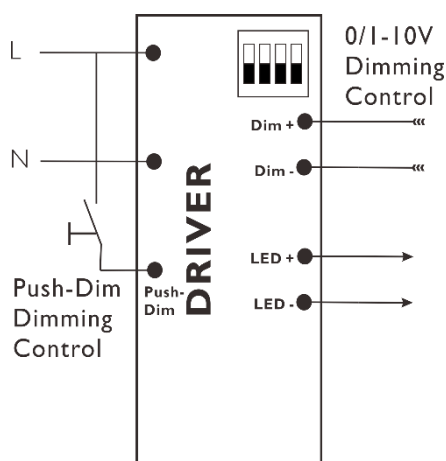
Multi-power driver supplied with dip-switch for the selection of the output current.

Factory default setting is 180mA.

LNA127		DIP-Switch Settings				
Pout Max.	Vout DC	Iout DC	1	2	3	4
11W	3-62V	180mA	--	--	--	
15W	3-62V	250mA	ON	--	--	
22W	3-62V	350mA	--	ON	--	
25W	3-62V	400mA	--	--	ON	
27W	3-60V	450mA	--	--	--	ON
27W	3-52V	520mA	ON	--	--	ON
27W	3-49V	550mA	--	ON	ON	--
27W	3-45V	600mA	--	ON	--	ON
27W	3-42V	650mA	--	--	ON	ON
27W	3-39V	700mA	ON	ON	--	ON
27W	3-33V	820mA	--	ON	ON	ON
27W	3-30V	900mA	ON	ON	ON	ON

### Dimming Control Wiring Diagrams

#### ➤ Push-dim 0-100% dimming control



By pressing the push button for less than one second the LEDs turn on or off.  
By pressing the push button for more than one second the light intensity of the LEDs is dimmed according to the following modalities:

- ✧ If the light intensity is not at maximum, by pressing the key there will be an increase of this to maximum or to the corresponding level at the moment the key is released;
- ✧ A further pressure on the key inverts the dimming direction to the minimum value or to the corresponding level at the moment the key is released;
- ✧ If light intensity is at maximum by pressing the key there will be a decrease to the minimum value or to the corresponding level at the moment the key is released.

Total length of PUSH cables <20m. Factory dimming setting at 100%.

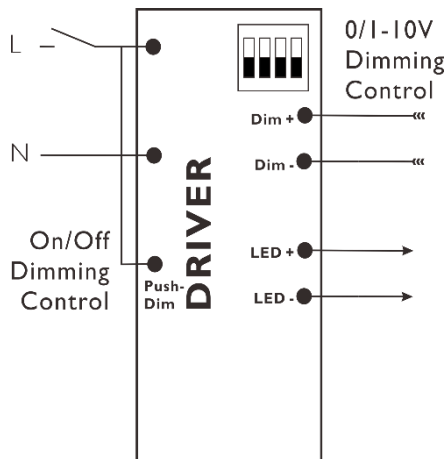


Note: Only use self-reset push button without indicator light.

Risk of short circuit. The self-reset button can only be linked between the Push-dim and the L(AC).

Do Not connect the self-reset button to the N(AC)

#### ➤ On/Off sectional dimming control



By pressing the push button for less than one second the LEDs turn on or off.  
By pressing the push button for more than one second the light intensity of the LEDs is dimmed according to the following modalities:

- ✧ If the light intensity is not at maximum, by pressing the key there will be an increase of this to maximum or to the corresponding level at the moment the key is released;
- ✧ A further pressure on the key inverts the dimming direction to the minimum value or to the corresponding level at the moment the key is released;
- ✧ If light intensity is at maximum by pressing the key there will be a decrease to the minimum value or to the corresponding level at the moment the key is released.

Total length of PUSH cables <20m. Factory dimming setting at 100%.

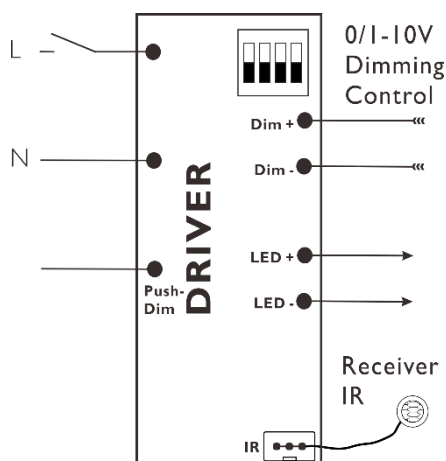


Note: Only use self-reset push button without indicator light.

Risk of short circuit. The self-reset button can only be linked between the Push-dim and the L(AC).

Do Not connect the self-reset button to the N(AC)

#### ➤ IR 0-100% Scenes dimming control



LNA series drive with an external infrared receiver; 6 scenes can be easily set up and call a quick scene, but also to be completed by 0-100% stepless infrared wireless dimming control.

#### Remote Accessories

Name	Model	Article number
Remote Control	DLR613S	530613
Receiver	IR01	530614



Remote Control  
DLR613S



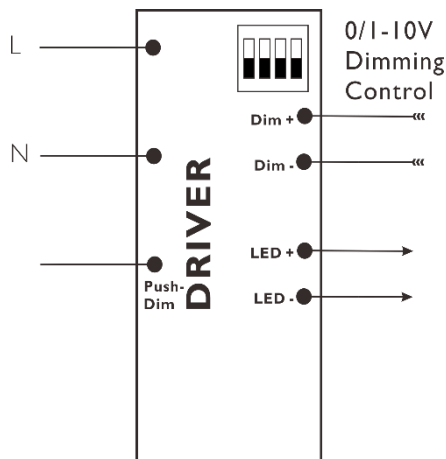
Receiver  
IR01

# LNA127

## Smart E-Dim 0/1-10V DRIVER

### SPEC SHEET

#### ➤ 0/1-10V interface dimming control



DC 0/1-10V interface dimming function, output constant current level can be adjusted through output terminal by DC 0/1-10V or 10V PWM signal between dimming control interface + and -.

✧ 0/1-10V dimming function for output current adjustment (Typical)

Dim-control Value	0V	1V	2V	3V	4V	5V
Output Current	0%	10%	20%	30%	40%	50%
Dim-control Value	6V	7V	8V	9V	10V	Open
Output Current	60%	70%	80%	90%	100%	100%

✧ Each 0 / 1-10V LED dimming drivers will consume 0.5mA control terminal of the current.

✧ 10V PWM signal for output current adjustment (Typical):  
Frequency range : 1KHz - 3KHz

Duty Value	0%	10%	20%	30%	40%	50%
Output Current	0%	10%	20%	30%	40%	50%
Duty Value	60%	70%	80%	90%	100%	100%
Output Current	60%	70%	80%	90%	100%	100%

#### 0/1-10V Interface Lighting Controller



EID110EA



DRF02E



DRF01E



DRFK1



DALI RGBW



DRF CCTE



DBC410A



DRF02U



DRF CCTU

**More 0/1-10V Lighting control modules and details , please browse [www.easeic.com](http://www.easeic.com)**

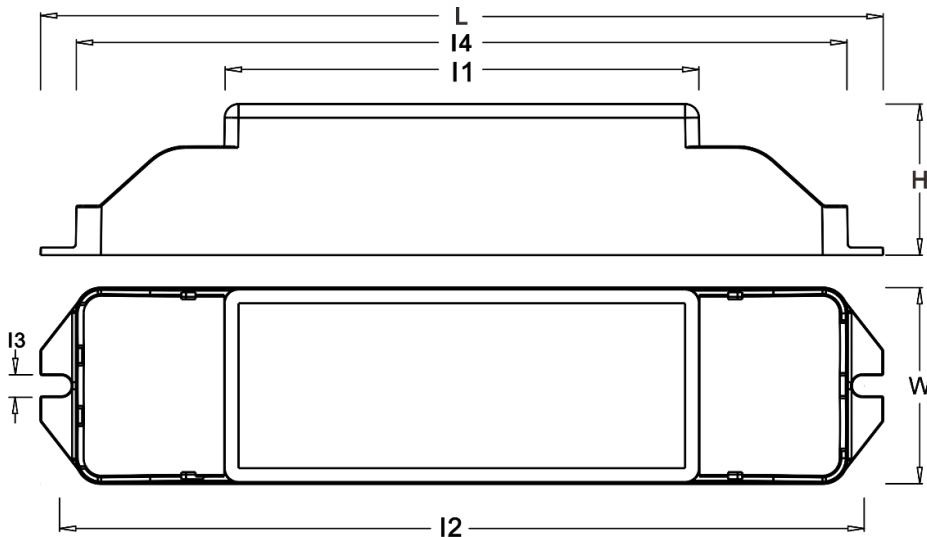
# LNA127

## Smart E-Dim 0/1-10V DRIVER

### SPEC SHEET

#### Mechanical Specifications

#### Mechanical Drawing:



#### Dimensions

	In.	mm
Case Length(L)	6.6	167
Case Width(W)	1.5	39
Case Height(H)	1.2	30
Mounting Holes(I1)	3.8	95
Mounting Holes(I2)	6.3	160
Mounting Holes(I3)	0.18	4.5
Mounting Holes(I4)	6.0	154
Overall Length	6.6	167

#### Suggested max. number of the LNX units that can be connected to a MCB@230VAC

MCB	B10	B16	C10	C16
LNA127	13	20	22	32

Note: These calculated values are based on MCB S201 series manufactured by ABB



© Copyright 2013 EASEIC INC.  
All rights reserved. Rev A2.0  
Data is subject to change without notice.  
www.easeic.com

#### Easeic Inc.

27 Hall Street, Brooklyn, NY 11205  
Tel.: 1-718-243-9388  
Fax: 1-718-243-9403  
Customer Support  
Customer Care: 1-646-4029788  
E-Mail: ny@easeic.com

#### Easeic Asia Limited.

Rm. 19C, Lockhart Ctr., 301-307  
Lockhart Rd., Wan Chai, Hong Kong  
Tel.: 852-6955-8075  
Fax: 852-6915-3639  
E-Mail: info@easeic.com

#### Easeic Sci-tech Co., Ltd.

Building 6, Huangzhou Industrial  
Zone, Chebei Road, Tianhe  
District, Guangzhou, China, 510660  
Tel.: 86-20-8230-9676  
Fax: 86-20-8230-9677  
E-Mail: sales@easeic.com