

# Smart LED Driver

Design and Quality EASEIC of USA

# LNNI54 AC

Smart E-Professional DRIVER

SPEC SHEET



54W 20-62V 500-1050mA E-Pro  
LNNI54 AC  
621154



**SELV RoHS**

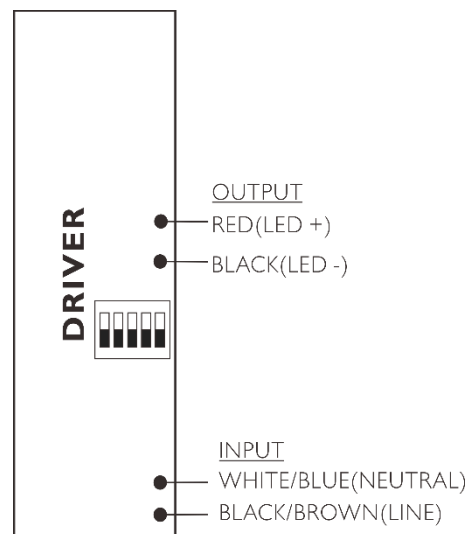
## Features

- Multilevel current output, Constant current output 500-1050mA
- Multi-power driver supplied with dip-switch for the selection of the output current
- Universal AC input (90~265Vac)
- Designed for LED lighting applications
- UL Class 2 output, Class 2 protection against electric shock for direct or indirect contact
- Supplied with terminal cover and cable retainer.
- Can be switched on and off on secondary circuit for power LED.
- Protections: Short circuit , Over voltage, Over Current
- 5 year warranty

## Benefits

- Enables design of low profile and compact fixtures
- Helps to maximize energy savings and allows application specific light levels

## Wire Diagram



### Note:

Install in accordance with National and Local Electrical Codes.

Use 16-24 AWG solid copper wire rated  $\geq 300V/85^{\circ}C$ .

Strip wire 3/8".

Please pay special attention to wiring installation guidelines, Wrong wiring will cause damage to the LED driver:

Before connection the power, make sure you have access to the LED load.

# LNNI54 AC

## Smart E-Professional DRIVER

### SPEC SHEET

#### Electrical Specifications

<b>Ordering Information</b>			
Type	LNNI54 AC		
Order Code	621154		
Full product name	Smart 54W 20-62V 500-1050mA E-Pro		
<b>Input Information</b>			
Line Voltage	100-240Vac_rms		
Line Current	0.65A@100VAC	0.54A@120VAC	0.29A@230VAC
Line Frequency	50/60Hz		
Min, Mains Voltage operational	90[min]		
Max, Mains Voltage operational	265[max]		
THD(total)	<20%		
Power Factor(PF)	>0.95		
Input Power (Max.)	64.6W		
Efficiency @Max Load and 70°C case	87%@100VAC	87%@120VAC	88%@230VAC
Inrush Current(Typ.)	Cold Start 70A(twidth=270us measured at 50% Ipeak) at 230VAC		
Leakage Current(Typ.)	<0.75mA/230VAC		
<b>Output Information</b>			
Output Power	10-54W(See Output current settings table)		
Output voltage	20V to 62V		
Output Constant Current	500-1050mA ±5%(See Output current settings table)		
Maximum open circuit voltage	<60V		
Output Current Ripple (ripple=peak to peak)	2% of nominal output voltage (whichever is greater), measured at 20Mhz bandwidth with 0.1uf ceramic capacitor in parallel with 10uf electrolytic capacitor connected at the end of the output connector:		
Protections	Over Current, Over Voltage, Short Circuit and Open Circuit Protection for LED+ and LED-		
Ambient Temp Range	-20°C to +50°C, 20-95% RH non-condensing		
Max Case Temperature(Tc)	75°C for Life & 85°C for UL Safety		
<b>Environment &amp; Approbation</b>			
Environmental Protection Rating	UL damp and dry		
Agency Approbations	UL8750,UL1310, CSA-C22.2 No.250.0-08,ENEC EN61347-1,EN61347-2-13 independent, EN62384,TUV EN60950-1		
Electromagnetic Compliance	FCC Title 47 Part 15 Class A Compliance to EN55015,EN61000-3-2 Class C(@100% Load);en6100-3-3 Compliance to EN61000-4-2,3,4,5,6,8,11;EN61547,EN55024, light industry level(surge 2KV), criteria A		
Audible noise	<24dB Class A		
<b>Other information</b>			
Dimension	118x67x30mm (LxWxH)		
Packing	0.17Kg(0.37lbs); 30Pcs/5.1kg(11.2Lbs)		

All the specifications are typical and at 25 °C Tcase unless specified otherwise

# LNNI54 AC

## Smart E-Professional DRIVER

### SPEC SHEET

#### Output Current Settings

LNNI54 AC, Constant Current output 500-1050mA.

Multi-power driver supplied with dip-switch for the selection of the output current.

Factory default setting is 500mA.

LNNI54 AC		DIP-Switch Settings				
Pout Max.	Vout DC	Iout DC	1	2	3	4
31W	20-62V	500mA	--	--	--	--
34W	20-62V	550mA	ON	--	--	--
37W	20-62V	600mA	--	ON	--	--
41W	20-62V	650mA	--	--	ON	--
44W	20-62V	700mA	--	--	--	ON
47W	20-62V	750mA	--	ON	ON	--
50W	20-62V	800mA	--	ON	--	ON
54W	20-62V	850mA	ON	ON	ON	--
54W	20-60V	900mA	ON	ON	--	ON
54W	20-54V	1000mA	--	ON	ON	ON
54W	20-52V	1050mA	ON	ON	ON	ON

#### Suggested max. number of the LNX units that can be connected to a MCB@230VAC

MCB	B10	B16	C10	C16
LNNI54 AC	9	15	16	26

Note: These calculated values are based on MCB S201 series manufactured by ABB

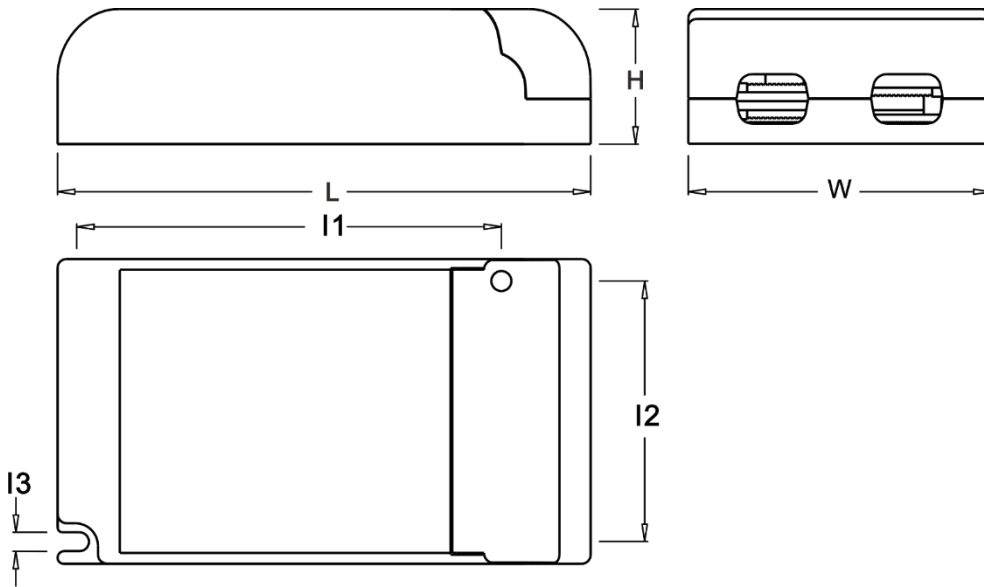
# LNN154 AC

## Smart E-Professional DRIVER

### SPEC SHEET

#### Mechanical Specifications

#### Mechanical Drawing:



#### Dimensions

	In.	mm
Case Length(L)	4.6	118
Case Width(W)	2.6	67
Case Height(H)	1.2	30
Mounting Holes(I1)	3.7	94
Mounting Holes(I2)	2.3	58
Mounting Holes(I3)	0.19	4.8
Overall Length	4.6	118

**EASEIC**

© Copyright 2013 EASEIC INC.  
All rights reserved. Rev A2.0  
Data is subject to change without notice.  
www.easeic.com

#### Easeic Inc.

27 Hall Street, Brooklyn, NY 11205  
Tel.: 1-718-243-9388  
Fax: 1-718-243-9403  
Customer Support  
Customer Care: 1-646-4029788  
E-Mail: ny@easeic.com

#### Easeic Asia Limited.

Rm. 19C, Lockhart Ctr., 301- 307  
Lockhart Rd., Wan Chai, Hong Kong  
Tel.: 852-6955-8075  
Fax: 852-6915-3639  
E-Mail: info@easeic.com

#### Easeic Sci-tech Co., Ltd.

Building 6, Huangzhou Industrial  
Zone, Chebei Road, Tianhe  
District, Guangzhou, China, 510660  
Tel.: 86-20-8230-9676  
Fax: 86-20-8230-9677  
E-Mail: sales@easeic.com