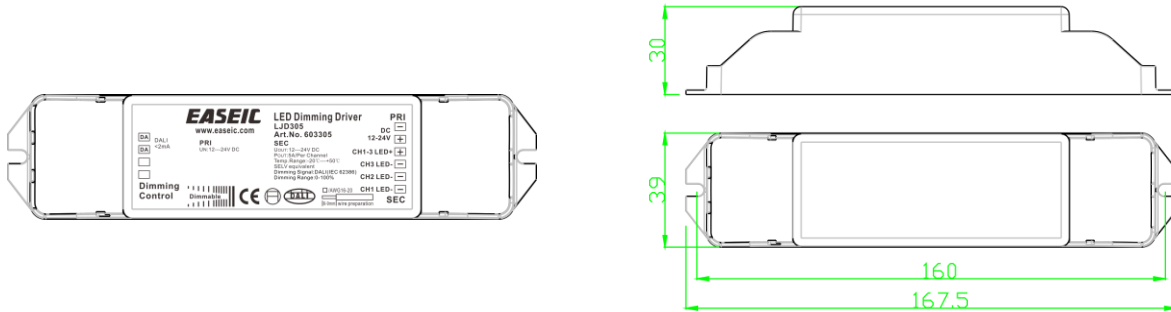
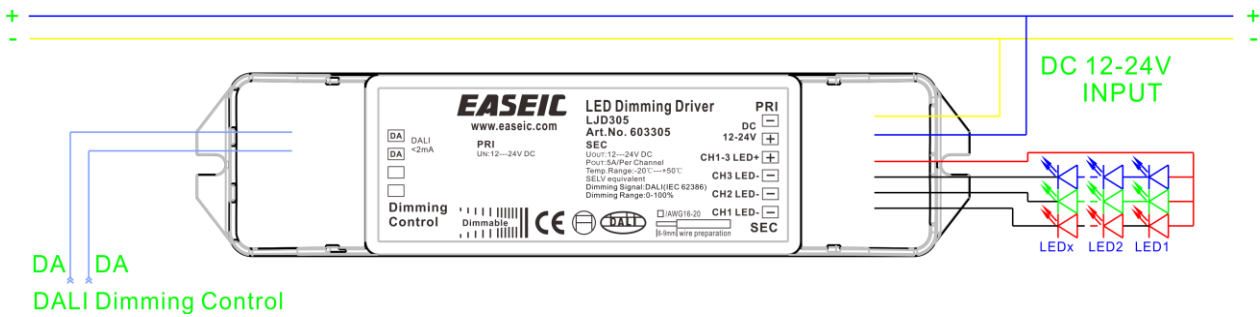


Constant voltage output 12V or 24V LED dimming drivers

LJD305



Connections



Key Features

- DALI digital dimming control interface
- Dimming range from 0-100%, LED start at 0.1% possible
- Constant voltage output 12V or 24V
- IP20, Only for indoor use
- Over temperature protection
- Overload protection by restricting output
- Short-circuit protection with automatic restart

Standards:

UL1310, UL1012, UL879, UL8750, UL60950-1, EN61547, EN61347-1, EN61347-2-13, EN61000-3-2, EN55015, EN55022,

Technical Data

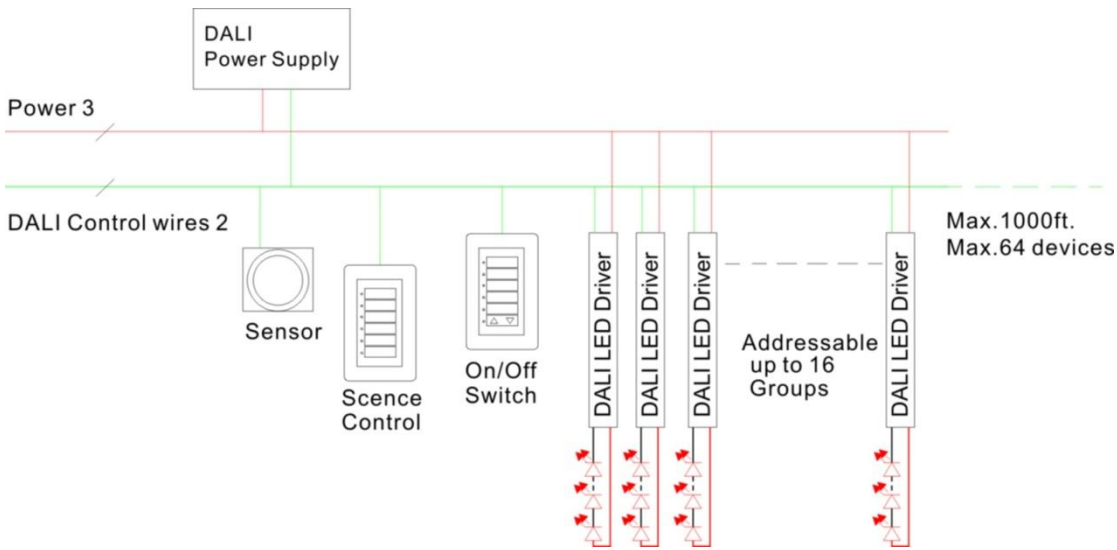
Pri. Supply voltage	12-24V DC	
Mains frequency	0Hz	
Mains current@12VDC	18A	
Sec. Output power	3x60W	3x120W
Sec. Contant voltage output DC	12V	24V
Sec. output current	3x5A	3x5A
Dimming control interface	DALI or PUSH-Dim Sink <2mA	
Dimming range	0-100%	
Ambient temperature(ta)	-20→+60°C	
Dimensions L x W x H	167.5x39x30mm	
Hole spacing D	160mm	

Ordering Data

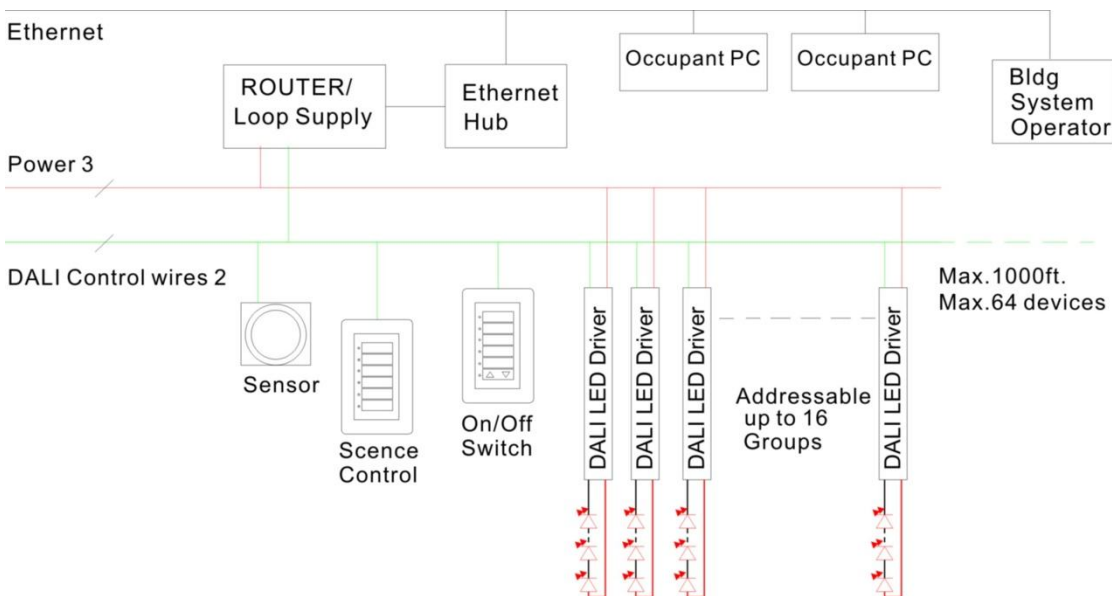
Sec. Output voltage DC	Sec. Contant output current	Drivers type	Article number
12V	3x5A	LJA305	603305
24V	3x5A	LJA305	603305

DALI LED dimming drivers dimming control wiring examples

WE1. Network-Localized control wiring example

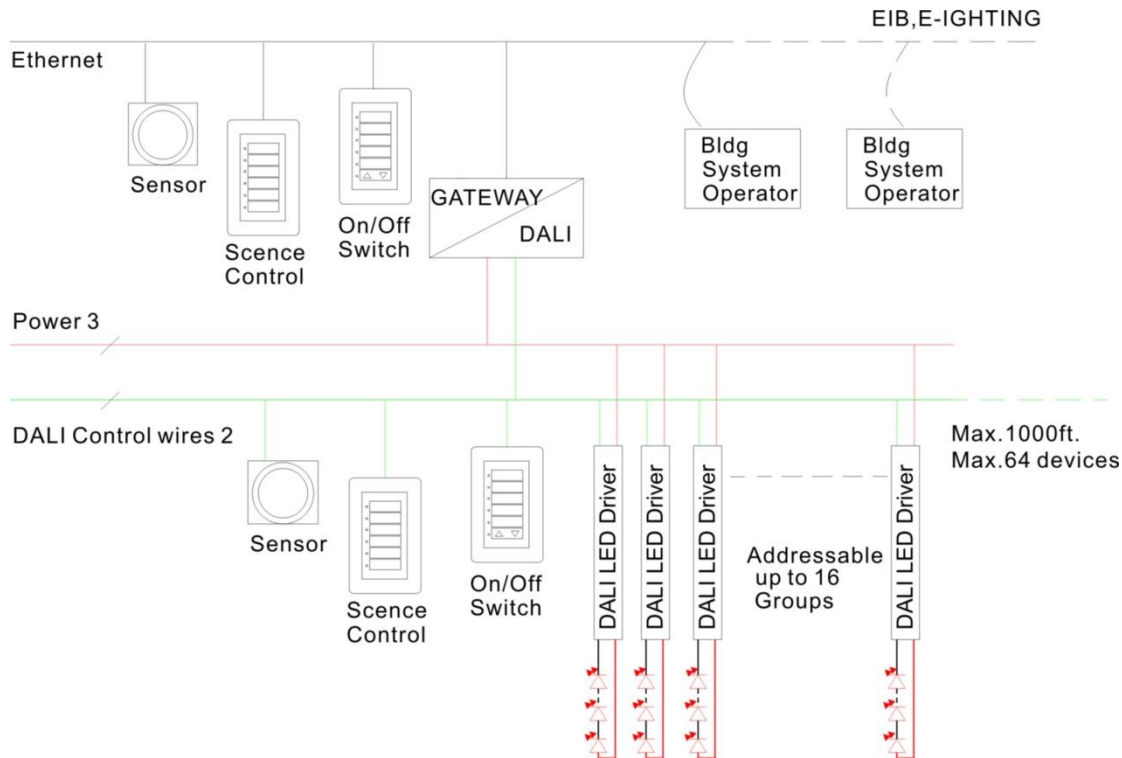


WE2. Network-Localized to LAN control wiring example



DALI LED dimming drivers dimming control wiring examples

WE3. Network-Localized to Building management system control wiring example



E-lighting DALI bus management module



DBC102D

1 channel DALI bus management module



DBC202D

2 channel DALI bus management module



DBC402D

3 channels DALI bus management module



DLP570PD

7 inch colored touch screen



DLP507SA

5 scenes panel

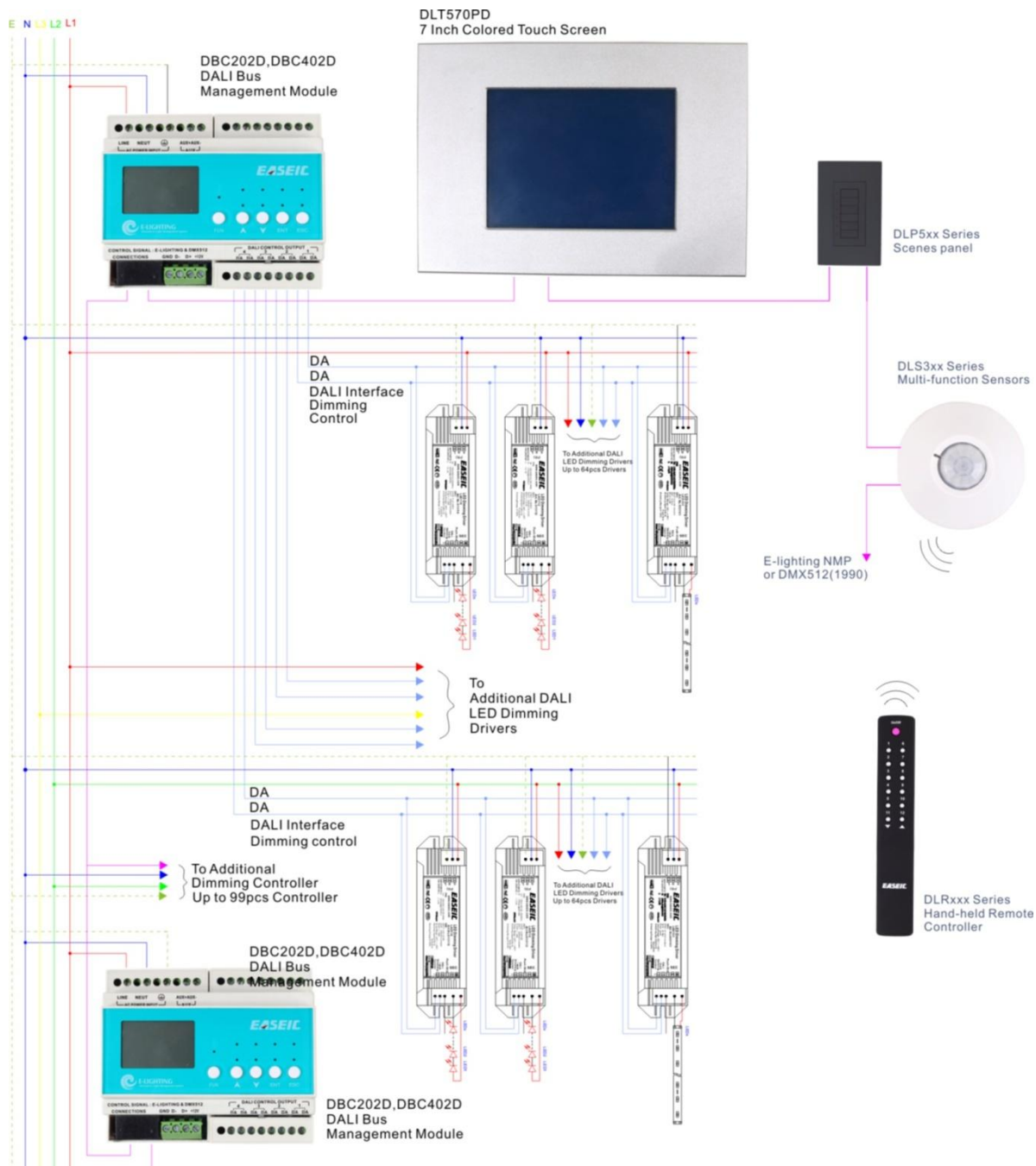


DLS304I

Programmable multi-function sensor

DALI LED dimming drivers dimming control wiring examples

WE4. E-Lighting control wiring example



E-Lighting network, max. control 4080pcs DALI dimmable ballast, DALI LED drivers, or DALI transformer ect.

*For more information on EASEIC DALI interface dimming controller please refer our latest E-LIGHTING Component Catalogue