

Smart LED Driver

Design and Quality EASEIC of USA

LNNI27

Smart E-Professional DRIVER

SPEC SHEET



27W 3-62V 180-900mA E-Pro
LNNI27
611127



SELV RoHS

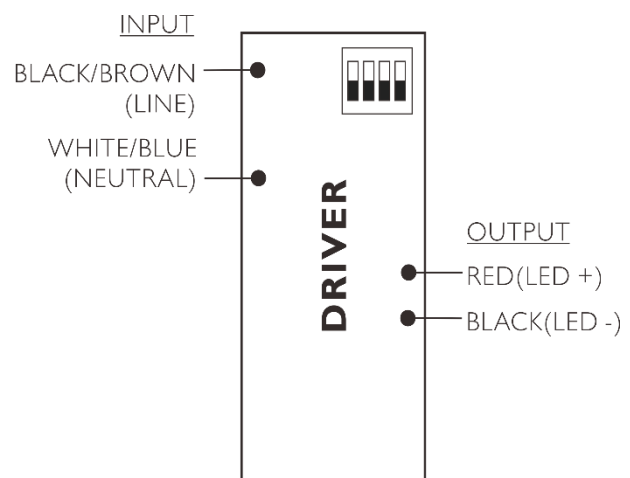
Features

- Multilevel current output, Constant current output 180-900mA
- Multi-power driver supplied with dip-switch for the selection of the output current
- Universal AC input (90~265Vac)
- Designed for LED lighting applications
- UL Class 2 output, Class 2 protection against electric shock for direct or indirect contact
- Supplied with terminal cover and cable retainer.
- Driver can be secured with slot for screws.
- Protections: Short circuit , Over voltage, Over Current
- 5 year warranty

Benefits

- Enables design of low profile and compact fixtures
- Helps to maximize energy savings and allows application specific light levels

Wire Diagram



Note:

Install in accordance with National and Local Electrical Codes.

Use 16-24 AWG solid copper wire rated $\geq 300V/85^{\circ}C$.

Strip wire 3/8".

Please pay special attention to wiring installation guidelines, Wrong wiring will cause damage to the LED driver.

Before connection the power, make sure you have access to the LED load.

LNN127

Smart E-Professional DRIVER

SPEC SHEET

Electrical Specifications

Ordering Information			
Type	LNN127		
Order Code	611127		
Full product name	Smart 27W 3-62V 180-900mA E-Pro		
Input Information			
Line Voltage	100-240Vac_rms		
Line Current	0.32A@100VAC	0.27A@120VAC	0.14A@230VAC
Line Frequency	50/60Hz		
Min, Mains Voltage operational	90[min]		
Max, Mains Voltage operational	265[max]		
THD(total)	<20%		
Power Factor(PF)	>0.95		
Input Power (Max.)	32.2W		
Efficiency @Max Load and 70°C case	87%@100VAC	87%@120VAC	87%@230VAC
Inrush Current(Typ.)	Cold Start 55A(twidth=270us measured at 50% Ipeak) at 230VAC		
Leakage Current(Typ.)	<0.5mA/230VAC		
Output Information			
Output Power	27W(See Output current settings table)		
Output voltage	3V to 62V		
Output Constant Current	180-900mA ±5%(See Output current settings table)		
Maximum open circuit voltage	<60V		
Output Current Ripple (ripple=peak to peak)	2% of nominal output voltage (whichever is greater), measured at 20Mhz bandwidth with 0.1uf ceramic capacitor in parallel with 10uf electrolytic capacitor connected at the end of the output connector.		
Protections	Over Current, Over Voltage, Short Circuit and Open Circuit Protection for LED+ and LED-		
Ambient Temp Range	-20°C to +50°C, 20-95% RH non-condensing		
Max Case Temperature(Tc)	75°C for Life & 85°C for UL Safety		
Environment & Approbation			
Environmental Protection Rating	UL damp and dry		
Agency Approbations	UL8750,UL1310, CSA-C22.2 No.250.0-08,ENEC EN61347-1,EN61347-2-13 independent,EN62384,TUV EN60950-1		
Electromagnetic Compliance	FCC Title 47 Part 15 Class A Compliance to EN55015,EN61000-3-2 Class C(@100% Load);en6100-3-3 Compliance to EN61000-4-2,3,4,5,6,8,11;EN61547,EN55024, light industry level(surge 2KV), criteria A		
Audible noise	<24dB Class A		
Other information			
Dimension	167x39x30mm (LxWxH)		
Packing	0.15Kg(0.37lbs); 42Pcs/7.1kg(15.2Lbs)		

All the specifications are typical and at 25 °C Tcase unless specified otherwise

LNN127

Smart E-Professional DRIVER

SPEC SHEET

Output Current Settings

LNN127, Constant Current output 180-900mA.

Multi-power driver supplied with dip-switch for the selection of the output current.

Factory default setting is 180mA.

LNN127		DIP-Switch Settings				
Pout Max.	Vout DC	Iout DC	1	2	3	4
11W	3-62V	180mA	--	--	--	
15W	3-62V	250mA	ON	--	--	
22W	3-62V	350mA	--	ON	--	
25W	3-62V	400mA	--	--	ON	
27W	3-60V	450mA	--	--	--	ON
27W	3-52V	520mA	ON	--	--	ON
27W	3-49V	550mA	--	ON	ON	--
27W	3-45V	600mA	--	ON	--	ON
27W	3-42V	650mA	--	--	ON	ON
27W	3-39V	700mA	ON	ON	--	ON
27W	3-33V	820mA	--	ON	ON	ON
27W	3-30V	900mA	ON	ON	ON	ON

Suggested max. number of the LNX units that can be connected to a MCB@230VAC

MCB	B10	B16	C10	C16
LNN127	13	20	22	32

Note: These calculated values are based on MCB S201 series manufactured by ABB

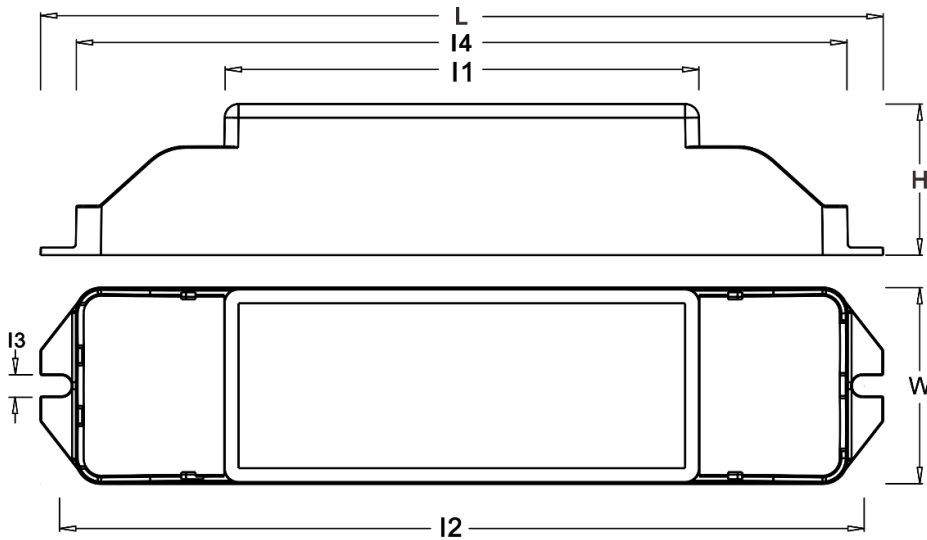
LNN127

Smart E-Professional DRIVER

SPEC SHEET

Mechanical Specifications

Mechanical Drawing:



Dimensions

	In.	mm
Case Length(L)	6.6	167
Case Width(W)	1.5	39
Case Height(H)	1.2	30
Mounting Holes(I1)	3.8	95
Mounting Holes(I2)	6.3	160
Mounting Holes(I3)	0.18	4.5
Mounting Holes(I4)	6.0	154
Overall Length	6.6	167



© Copyright 2013 EASEIC INC.
All rights reserved. Rev A2.0
Data is subject to change without notice.
www.easeic.com

Easeic Inc.
27 Hall Street, Brooklyn, NY 11205
Tel.: 1-718-243-9388
Fax: 1-718-243-9403
Customer Support
Customer Care: 1-646-4029788
E-Mail: ny@easeic.com

Easeic Asia Limited.
Rm. 19C, Lockhart Ctr., 301- 307
Lockhart Rd., Wan Chai, Hong Kong
Tel.: 852-6955-8075
Fax: 852-6915-3639
E-Mail: info@easeic.com

Easeic Sci-tech Co., Ltd.
Building 6, Huangzhou Industrial
Zone, Chebei Road, Tianhe
District, Guangzhou, China, 510660
Tel.: 86-20-8230-9676
Fax: 86-20-8230-9677
E-Mail: sales@easeic.com