

# E-Professional LED Driver

Design and Quality EASEIC of USA

# HLP-45-36

E-Professional DRIVER

SPEC SHEET



45W 36V 1.25A Pro HLP

HLP-45-36

65104506

SELV CE TUV 3000 C UL® US



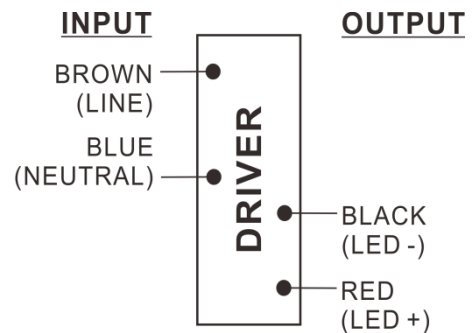
## Features

- Universal AC input (90~305Vac)
- Designed for LED lighting applications
- Compact form factor, Fully isolated plastic case
- UL Class 2 output
- Fully encapsulated with ip67 level(optional for HLP-xxx-xxxW)
- Cooling by free air convection
- Suitable for dry, damp, and wet location
- 5 year warranty

## Benefits

- Enables design of low profile and compact fixtures
- Helps to maximize energy savings and allows application specific light levels

## Wire Diagram



### Note:

Install in accordance with National and Local Electrical Codes.

Use 18 AWG solid copper wire rated  $\geq 300V/85 C$ .

Strip wire 3/8".

Please pay special attention to wiring installation guidelines,

Wrong wiring will cause damage to the LED driver.

Before connection the power, make sure you have access to the LED load.

## Product Data

Input Voltage (Vac)	Output Power (W)	Output Voltage (V)	Output Current (A)	Efficiency @Max Load and 70°C case	Max Case Temp. (°C)	Input Current (Arms)	Max Input Power (W)	THD @Max Load (%)	Power Factor @Max Load	Weight (Lbs/kgs)	Envir. Protection Rating
120	45	24-36	1.25	81.0	Life-75°C UL-85°C	0.46	55.2	<20%	>0.93	0.61/0.28	UL damp and dry
230				82.0		0.24		<20%			
277				83.0		0.20		<20%			

# HLP-45-36

## E-Professional DRIVER

### SPEC SHEET

#### Electrical Specifications

<b>Ordering Information</b>			
Type	HLP-45-36		
Order Code	65104506		
Full product name	E-Professional 45W 36V 1.25A Pro HLP		
<b>Input Information</b>			
Line Voltage	100-277Vac_rms		
Line Current	0.56A@120VAC	0.24A@230VAC	0.20A@277VAC
Line Frequency	50/60Hz		
Min, Mains Voltage operational	90[min]		
Max, Mains Voltage operational	305[max]		
THD(total)	<20%		
Power Factor(PF)	>0.93		
Inrush Current(Max.)	Cold Start 40A(twidth=270us measured at 50% Ipeak) at 230VAC		
Leakage Current(Typ.)	<0.75mA/230VAC		
<b>Output Information</b>			
Output voltage	24V to 36V		
Output Constant Current	1.25A		
Maximum open circuit voltage	<60V		
Output Current Ripple (ripple=peak to peak)	10% of nominal output voltage (whichever is greater),measured at 20Mhz bandwidth with 0.1uf ceramic capacitor in parallel with 10uf electrolytic capacitor connected at the end of the output connector.		
Protections	Over Current, Over Voltage, Short Circuit and Open Circuit Protection for LED+ and LED-		
Ambient Temp Range	-20°C to +60°C, 20-95% RH non-condensing		
Max Case Temperature(Tc)	75°C for Life & 85°C for UL Safety		
<b>Environment &amp; Approbation</b>			
Environmental Protection Rating	UL damp and dry		
Agency Approbations	UL8750,UL1310, CSA-C22.2 No.250.0-08,ENEC EN61347-1,EN61347-2-13 independent, EN62384, TUV EN60950-1		
Electromagnetic Compliance	FCC Title 47 Part 15 Class A Compliance to EN55015,EN61000-3-2 Class C(@100% Load);en6100-3-3 Compliance to EN61000-4-2,3,4,5,6,8,11;EN61547,EN55024, light industry level(surge 2KV), criteria A		
Audible noise	<24dB Class A		

All the specifications are typical and at 25 °C Tcase unless specified otherwise

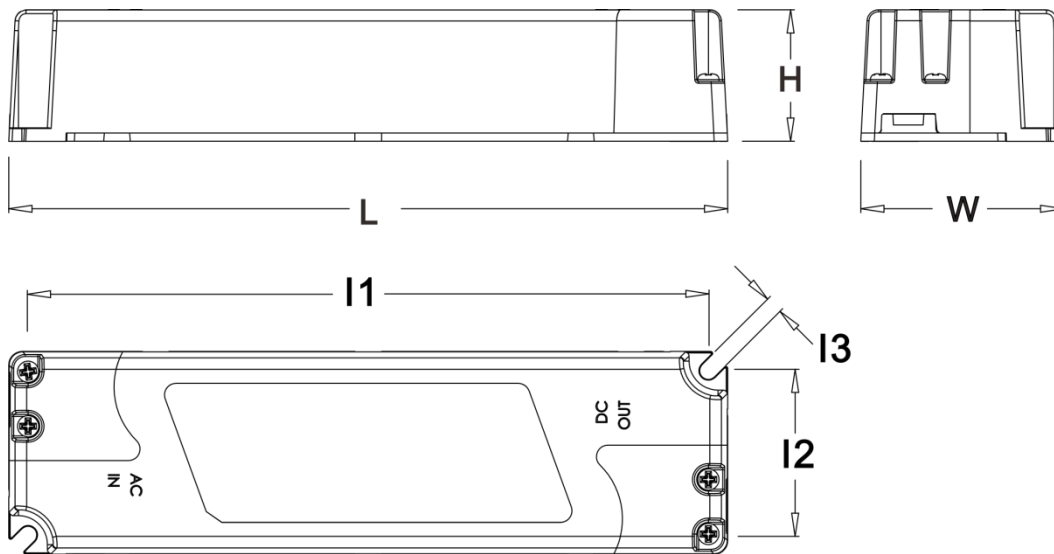
# HLP-45-36

E-Professional DRIVER

SPEC SHEET

## Mechanical Specifications

### Mechanical Drawing:



### Dimensions

	In.	mm
Case Length(L)	6.4	162.5
Case Width(W)	1.7	43
Case Height(H)	1.3	32
Mounting Holes(I1)	6.0	152.5
Mounting Holes(I2)	1.3	33
Mounting Holes(I3)	0.14	3.5
Overall Length	6.4	162.5

**EASEIC**

© Copyright 2013 EASEIC INC.  
All rights reserved. Rev A1.0  
Data is subject to change without notice.  
www.easeic.com

#### Easeic Inc.

27 Hall Street, Brooklyn, NY 11205  
Tel.: 1-718-243-9388  
Fax: 1-718-243-9403  
Customer Support  
Customer Care: 1-646-4029788  
E-Mail: ny@easeic.com

#### Easeic Asia Limited.

Rm. 19C, Lockhart Ctr., 301-307  
Lockhart Rd., Wan Chai, Hong Kong  
Tel.: 852-6955-8075  
Fax: 852-6915-3639  
E-Mail: info@easeic.com

#### Easeic Sci-tech Co., Ltd.

No. 37 Huancun Xi Rd., Liangtian  
Industrial Area,  
Baiyuan District, Guangzhou, China  
Tel.: 86-20-8230-9676  
Fax: 86-20-8230-9677  
E-Mail: sales@easeic.com