

E-Professional LED Driver

Design and Quality EASEIC of USA

HLP-25-72

E-Professional DRIVER

SPEC SHEET



25W 72V 0.35A Pro HLP

HLP-25-72

65102507



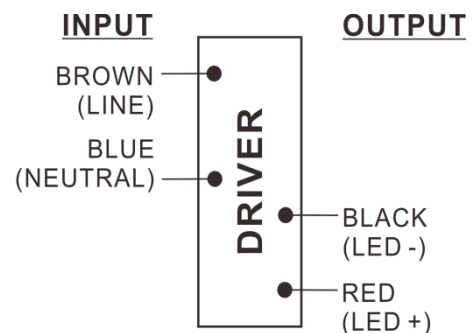
Features

- Universal AC input (90~305Vac)
- Designed for LED lighting applications
- Compact form factor, Fully isolated plastic case
- UL Class 2 output
- Fully encapsulated with ip67 level(optional for HLP-xxx-xxxW)
- Cooling by free air convection
- Suitable for dry, damp, and wet location
- 5 year warranty

Benefits

- Enables design of low profile and compact fixtures
- Helps to maximize energy savings and allows application specific light levels
-

Wire Diagram



Note:

Install in accordance with National and Local Electrical Codes.
 Use 18 AWG solid copper wire rated $\geq 300V/85 C$.
 Strip wire 3/8".
 Please pay special attention to wiring installation guidelines,
 Wrong wiring will cause damage to the LED driver.
 Before connection the power, make sure you have access to the LED load.

Product Data

Input Voltage (Vac)	Output Power (W)	Output Voltage (V)	Output Current (A)	Efficiency @Max Load and 70°C case	Max Case Temp. (°C)	Input Current (Arms)	Max Input Power (W)	THD @Max Load (%)	Power Factor @Max Load	Weight (Lbs/kgs)	Envir. Protection Rating
120	25	50-72	0.35	81.0	Life-75°C UL-85°C	0.27	32.4	<20%	>0.92	0.26/0.12	UL damp and dry
230				82.0		0.14		<20%			
277				83.0		0.12		<20%			

HLP-25-72

E-Professional DRIVER

SPEC SHEET

Electrical Specifications

Ordering Information			
Type	HLP-25-72		
Order Code	65102507		
Full product name	E-Professional 25W 72V 0.35A Pro HLP		
Input Information			
Line Voltage	100-277Vac_rms		
Line Current	0.27A@120VAC	0.14A@230VAC	0.12A@277VAC
Line Frequency	50/60Hz		
Min, Mains Voltage operational	90[<i>min</i>]		
Max, Mains Voltage operational	305[<i>max</i>]		
THD(total)	<20%		
Power Factor(PF)	>0.92		
Inrush Current(Max.)	Cold Start 40A(<i>t</i> _{width} =270us measured at 50% <i>I</i> _{peak}) at 230VAC		
Leakage Current(Typ.)	<0.75mA/230VAC		
Output Information			
Output voltage	50V to 72V		
Output Constant Current	0.35A		
Maximum open circuit voltage	<90V		
Output Current Ripple (ripple=peak to peak)	10% of nominal output voltage (whichever is greater),measured at 20Mhz bandwidth with 0.1uf ceramic capacitor in parallel with 10uf electrolytic capacitor connected at the end of the output connector.		
Protections	Over Current, Over Voltage, Short Circuit and Open Circuit Protection for LED+ and LED-		
Ambient Temp Range	-20°C to +60°C, 20-95% RH non-condensing		
Max Case Temperature(Tc)	75°C for Life & 85°C for UL Safety		
Environment & Approbation			
Environmental Protection Rating	UL damp and dry		
Agency Approbations	UL8750,UL1310, CSA-C22.2 No.250.0-08,ENEC EN61347-1,EN61347-2-13 independent, EN62384, TUV EN60950-1		
Electromagnetic Compliance	FCC Title 47 Part 15 Class A Compliance to EN55015,EN61000-3-2 Class C(@100% Load);en6100-3-3 Compliance to EN61000-4-2,3,4,5,6,8,11;EN61547,EN55024, light industry level(surge 2KV), criteria A		
Audible noise	<24dB Class A		

All the specifications are typical and at 25 °C Tcase unless specified otherwise

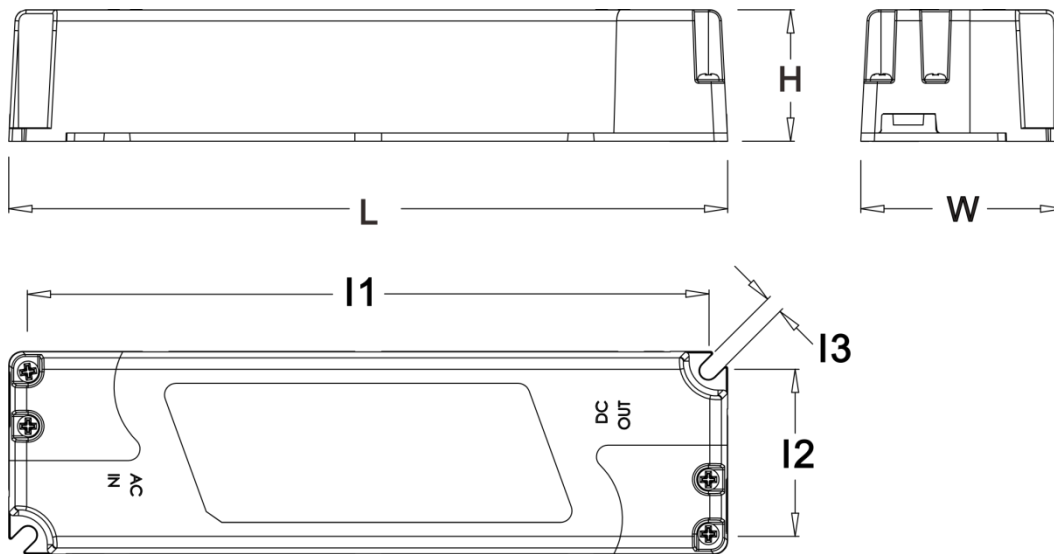
HLP-25-72

E-Professional DRIVER

SPEC SHEET

Mechanical Specifications

Mechanical Drawing:



Dimensions

	In.	mm
Case Length(L)	5.6	141
Case Width(W)	1.5	38
Case Height(H)	0.9	22
Mounting Holes(I1)	5.2	132
Mounting Holes(I2)	1.1	29
Mounting Holes(I3)	0.13	3.2
Overall Length	5.6	141

EASEIC

© Copyright 2013 EASEIC INC.
All rights reserved. Rev A1.0
Data is subject to change without notice.
www.easeic.com

Easeic Inc.

27 Hall Street, Brooklyn, NY 11205
Tel.: 1-718-243-9388
Fax: 1-718-243-9403
Customer Support
Customer Care: 1-646-4029788
E-Mail: ny@easeic.com

Easeic Asia Limited.

Rm. 19C, Lockhart Ctr., 301-307
Lockhart Rd., Wan Chai, Hong Kong
Tel.: 852-6955-8075
Fax: 852-6915-3639
E-Mail: info@easeic.com

Easeic Sci-tech Co., Ltd.

No. 37 Huancun Xi Rd., Liangtian
Industrial Area,
Baiyuan District, Guangzhou, China
Tel.: 86-20-8230-9676
Fax: 86-20-8230-9677
E-Mail: sales@easeic.com